

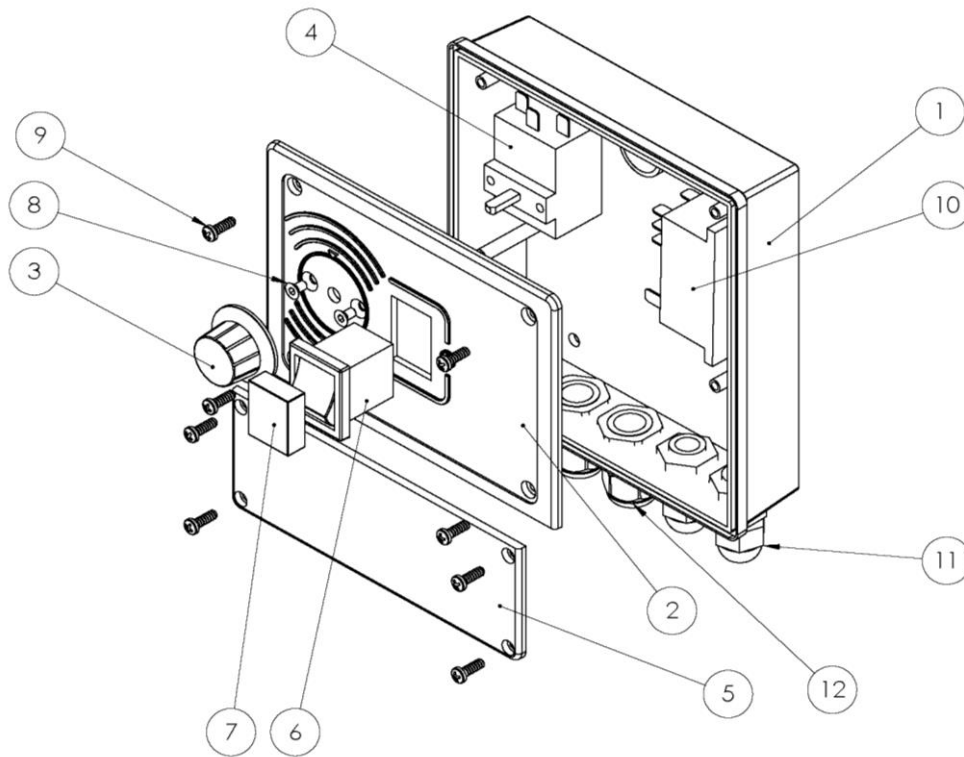
# Heat Exchanger Analogue Controller

## SPARE PART LISTS



**ELECR0**  
ENGINEERING

## Heat Exchanger Analogue Controller



| Item No.: | Description:                                  | Pcs/Unit: | Part Number:                 | GBP RRP (£) | EUR RRP (€) | USD RRP (\$) |
|-----------|---|-----------|------------------------------|-------------|-------------|--------------|
| 1         | Equipped Heat Exchanger Enclosure (Processed) | 1         | Z-IM-PS-ENC                  | 18.38       | 21.13       | 25.73        |
| 2         | Analogue Equipped H/E Front Cover             | 1         | Z-IM-PS-ANA                  | 16.28       | 18.72       | 22.79        |
| 3         | Control Thermostat Dial 0>45C                 | 1         | Z-MIS-CS-45-DIAL             | 3.68        | 4.23        | 5.15         |
| 4         | EGO Analogue Control Stat 0>45C               | 1         | SP-MIS-CS                    | 43.84       | 50.41       | 61.37        |
| 5         | Pool/Pond Smart & Equipped H/E Access Cover   | 1         | Z-IM-PS-AC                   | 10.50       | 12.08       | 14.70        |
| 6         | Red Illuminated Double For Rocker Switch      | 1         | Z-MIS-ROCK-SW                | 15.23       | 17.51       | 21.32        |
| 7         | Protective Cover For Rocker Switch            | 1         | Z-MIS-ROCK-PC                | 5.78        | 6.64        | 8.09         |
| 8         | M4 x 6-mm S/S CSK Socket                      | 1         | Z-FIX-M4X6CS                 | 1.58        | 1.81        | 2.21         |
| 9         | M4 x 14-mm S/S Pozi Pan Screw                 | 1         | Z-FIX-M4X14                  | 1.58        | 1.81        | 2.21         |
| 10        | Finder 30-Amp DPDT 230V Coil Relay            | 1         | SP-109                       | 27.56       | 31.70       | 38.59        |
| 11        | PG9 Entry Gland With Nut                      | 2         | Z-CON-PG9BK                  | 7.88        | 9.06        | 11.03        |
| 12        | PG11 Entry Gland With Nut                     | 3         | Z-CON-PG11BLK+ Z-CON-PG11NUT | 13.65       | 15.70       | 19.11        |





Improving pools *globally*

11 Gunnels Wood Park, Gunnels Wood Road,  
Stevenage, Hertfordshire, SG1 2BH, UK

Tel: +44 1438 749 474  
Email: [sales@elecra.co.uk](mailto:sales@elecra.co.uk)  
Web: [www.elecra.co.uk](http://www.elecra.co.uk)

We reserve the right to change all or part of the features of the articles  
or contents of this document, without prior notice.

SPL-EN-HEAT EXCHANGER ANALOGUE HEATING CONTROLLER SPARE PARTS  
LIST V2-26.10.2021-ELECRO